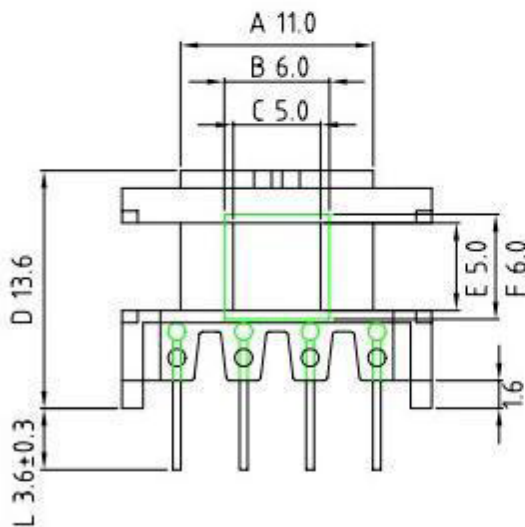
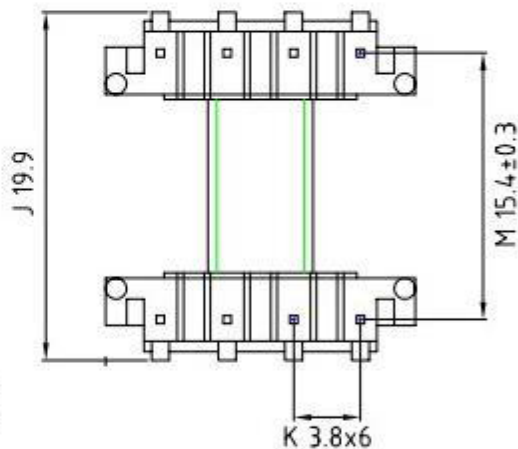
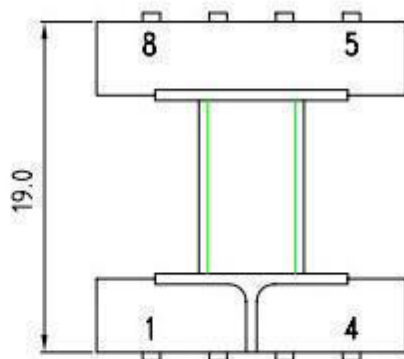
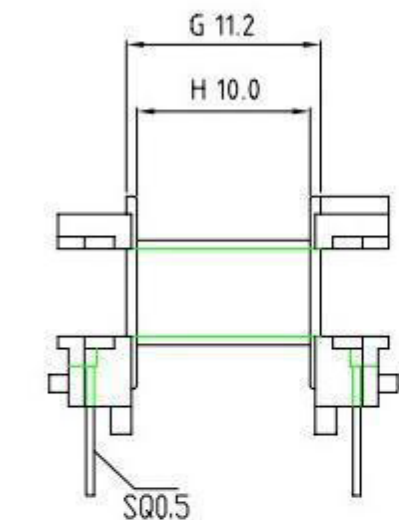


型号

EF-1606



DRAWN BY

JING LI PENG

TOLERANCE

MODEL NAME:

CHECKER BY

LING RONG WANG

X. X ± 0.3

X. XX ± 0.2

壁厚: ± 0.15

PINPITCH ± 0.2

BOBBIN MATERIAL:

PET

SCALE: 3:1

SCALE: UL 94V-0

DATE

01-01-2008

SCALE: M/M

