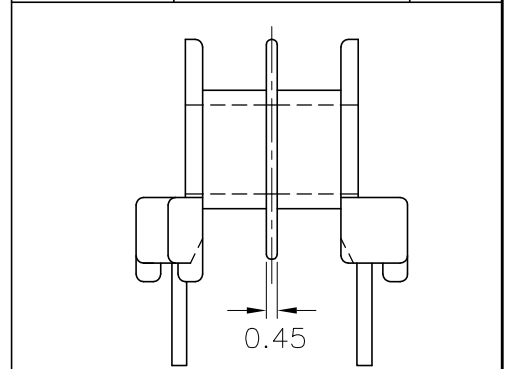


DRAWING NO:	MATERIAL:	ORIGIN:
P-1009-1	PHENOLIC PM9630	DG



B-038.101P(B-038)

B-038.201P(B-038-1)

REV.	REVISIONS	REC.	REV.	REVISIONS	REC.
1	(L) 0.9 ->0.75 (Q) 9.8 ->9.9 (K) 3.4 ->3.5				
2	CANCEL (K),(J); UPDATE DRAWING				

DRAWN & DRAFTED BY TSUNG TUAN	TOLERANCES		ANGLE:	TITLE:	
	0<L≤4 ±0.1	pin pitch ±0.2	±1°	T-H BOBBIN EP-10	
CHECKED & APPROVED BY CHIN TE	4<L≤16 ±0.2		UNIT:	BOBBIN MATERIAL:	UL REC.
	16<L≤63 ±0.3	MM	PHENOLIC PM9630	UL 94V-0	
PIN SHINE INDUSTRIAL CO., LTD. TEL:886-2-22990545 FAX:886-2-22990546			ORIGIN:	PIN MATERIAL:	PIN TENSION LOAD:
			DG SZ	CP WIRE	1.5KG MIN
			DATE:	DRAWING NO.	REV.
			MAR.28 '2003	P-1009	2