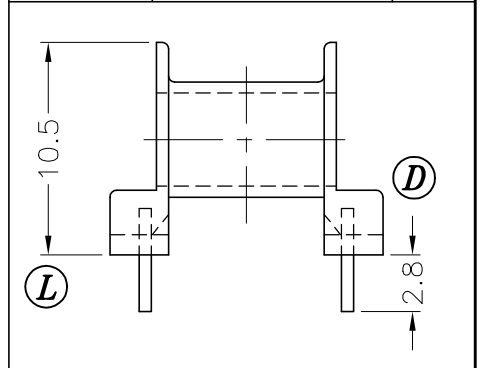
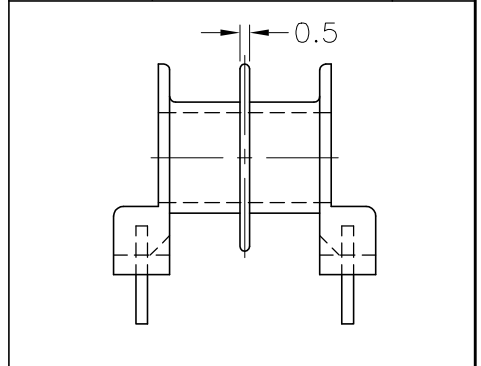


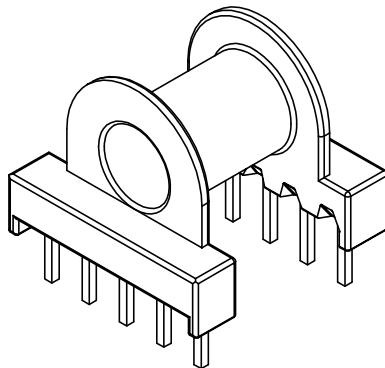
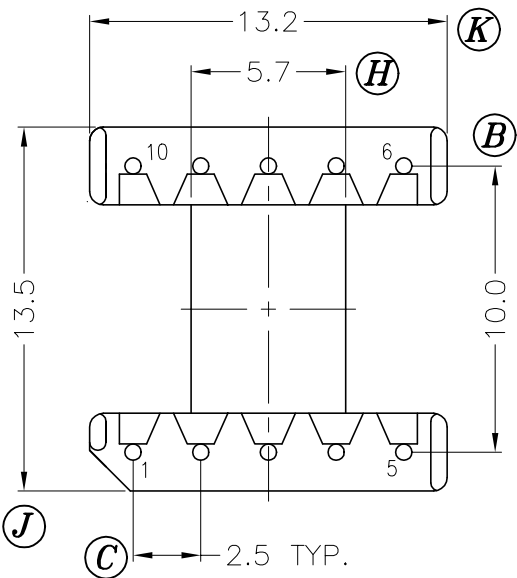
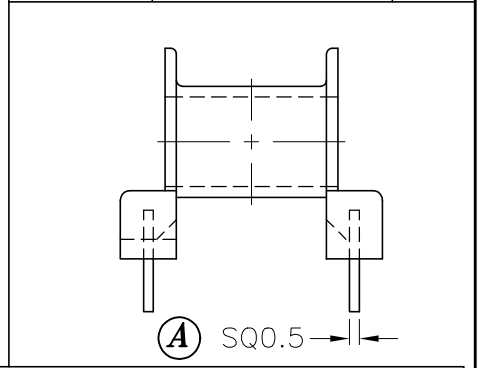
DRAWING NO.	MATERIAL:	ORIGIN:
P-1303-3	PHENOLIC PM9630	DG



DRAWING NO.	MATERIAL:	ORIGIN:
P-1303-2	PHENOLIC PM9630	DG



DRAWING NO.	MATERIAL:	ORIGIN:
P-1303-1	PHENOLIC PM9630	DG



REV.	REVISIONS	REC.	REV.	REVISIONS	REC.
1	TITLE:BOBBIN EPB13-P1109-FD ->BOBBIN EP-13		4	CANCEL (M); UPDATE DRAWING	
2	(G)8.9->8.9 ^{+0.1} / _{-0.2} (N)9.6->9.6 ⁺⁰ / _{-0.2} (E)4.6->4.6 ^{+0.1} / _{-0.05}				
3	MATERIAL:PM-9630->PM-9820				

DRAWN & DRAFTED BY SHENG BIN	TOLERANCES		ANGLE: ±1°	TITLE: T-H BOBBIN EP-13	
	0<L≤4 ±0.1	pin pitch ±0.2	UNIT: MM	BOBBIN MATERIAL: PHENOLIC PM9820	UL REC. UL 94V-0
CHECKED & APPROVED BY ZHONG YU	4<L≤16 ±0.2		ORIGIN: DG	PIN MATERIAL: CP WIRE	PIN TENSION LOAD: 1.5KG MIN.
PIN SHINE INDUSTRIAL CO.,LTD. TEL:886-2-22990545 FAX:886-2-22990546			DATE: MAR.31 '2003	DRAWING NO. P-1303	REV. 4