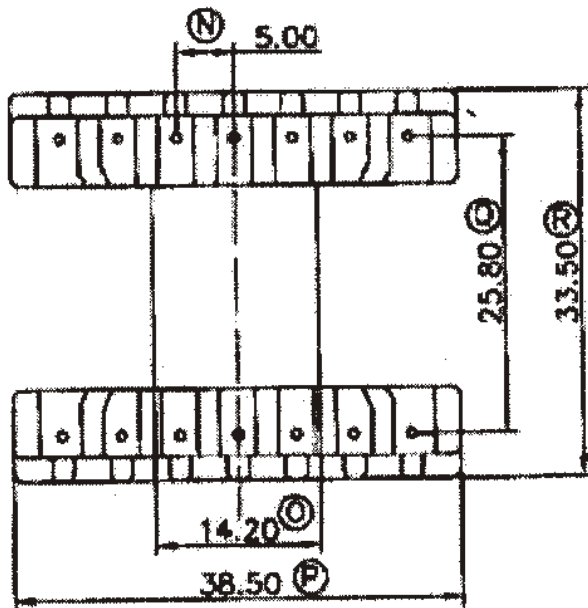
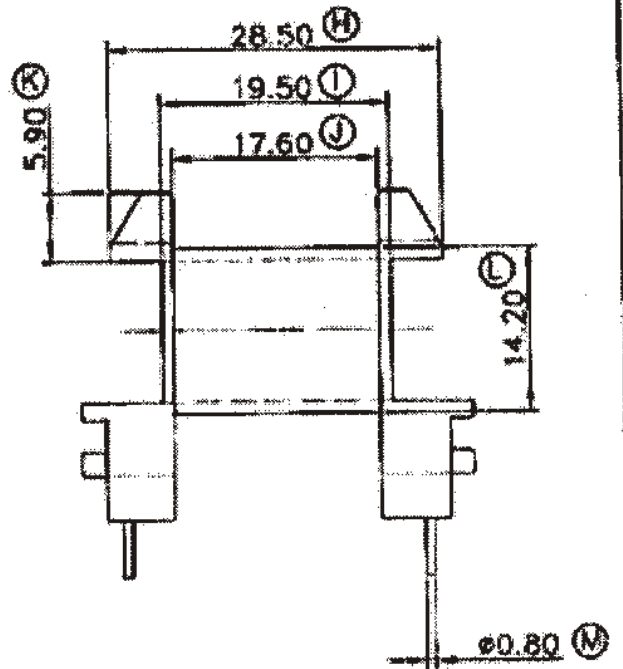
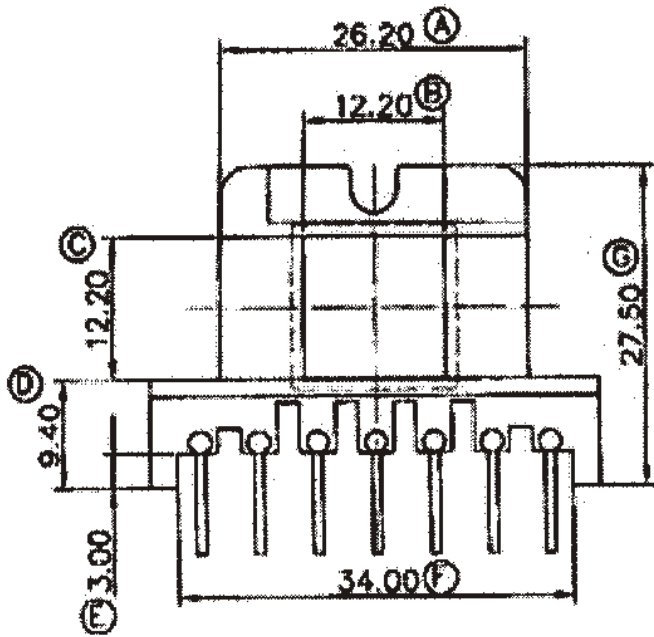


型號 EE-1006



REV	DATE	REVISIONS R/S/C

		ANGLE:	MODEL NAME:			
		$\pm 1^\circ$	EE-10 (14PIN)			
		UNIT:	UL REC:	BORIN MATERIAL:		
		MM	UL 94V-0	PHENOLIC		
DRFTER	S. L. YAN	TOLERANCE:	SCALE:	PIN TENSION LOAD:	PIN MATERIAL:	
		0-LCF $\pm 0.1$	1.5/1	1.0KG MIN	CP WIRE	
		4-LCF $\pm 0.2$		DATE:	DRAWING NO:	REV:
CHECKER	Y. C. XIE	IN-LCF $\pm 0.3$		14/11/2004	EE-4006	0
		PIN PITCH $\pm 0.2$				