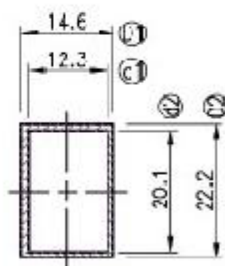
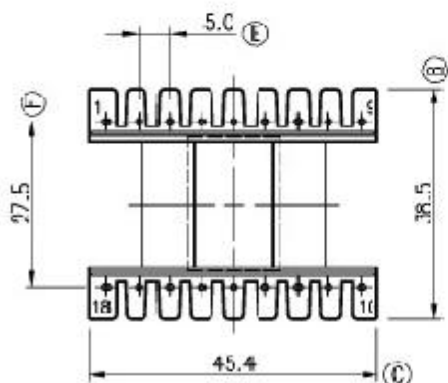
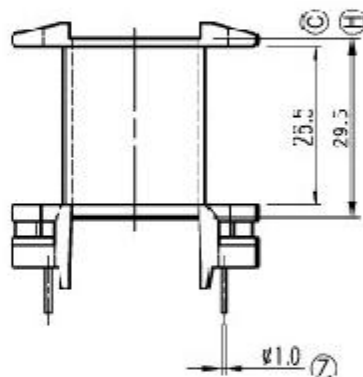
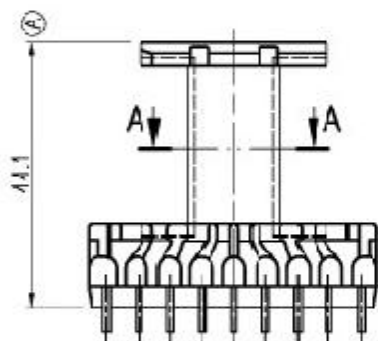
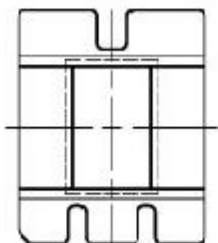


型号

EE-4218



A-A Section

DRAWN BY	JING LI PENG	TOLERANCE		MODEL NAME:	
CHECKER BY	LING RONG WANG	X. X	± 0.3	BOBBIN MATERIAL: PHENOLIC	
DATE	01-01-2008	X. XX	± 0.2	SCALE: 3:1	SCALE: UL 94V-0
		壁厚:	± 0.15		SCALE: M/M
		PIN PITCH	± 0.2		