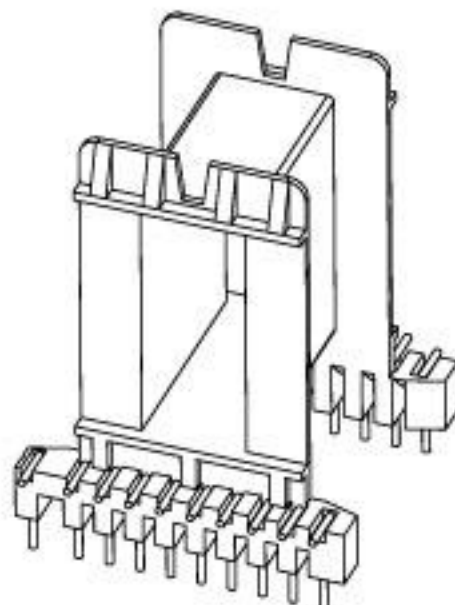
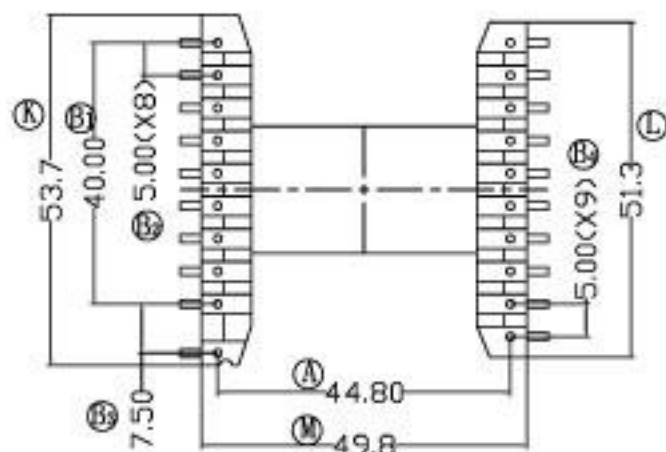
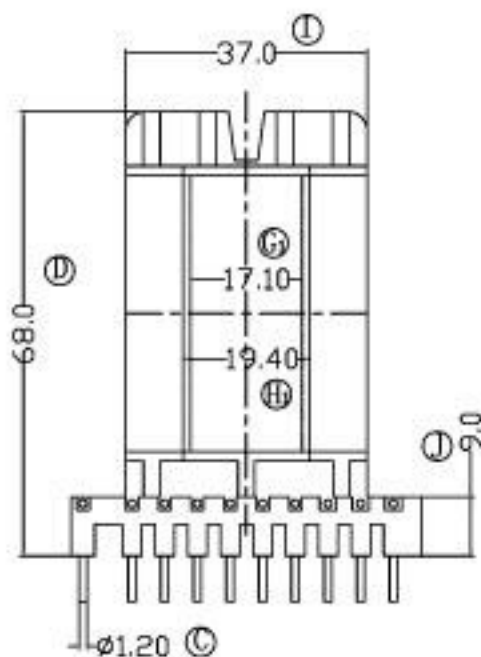
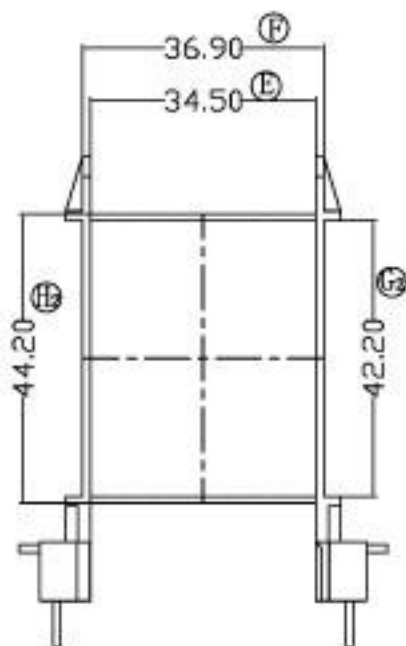


型号

EE-5501

REV	REVISIONS REC	DATE



DRAWNBY	JING LI PENG	TOLERANCE	MODEL NAME: EE55-20P双排磁心	
CHECKER BY	LING RONG WANG		BOBBIN MATERIAL: PET 黑色	
DATE	01-01-2008		SCALE: 1:1	SCALE: UL 94V-0
		X.X ± 0.3	SCALE: M/M	
		X.XX ± 0.2		
		壁厚: ± 0.15		
		PINPITCH ± 0.2		