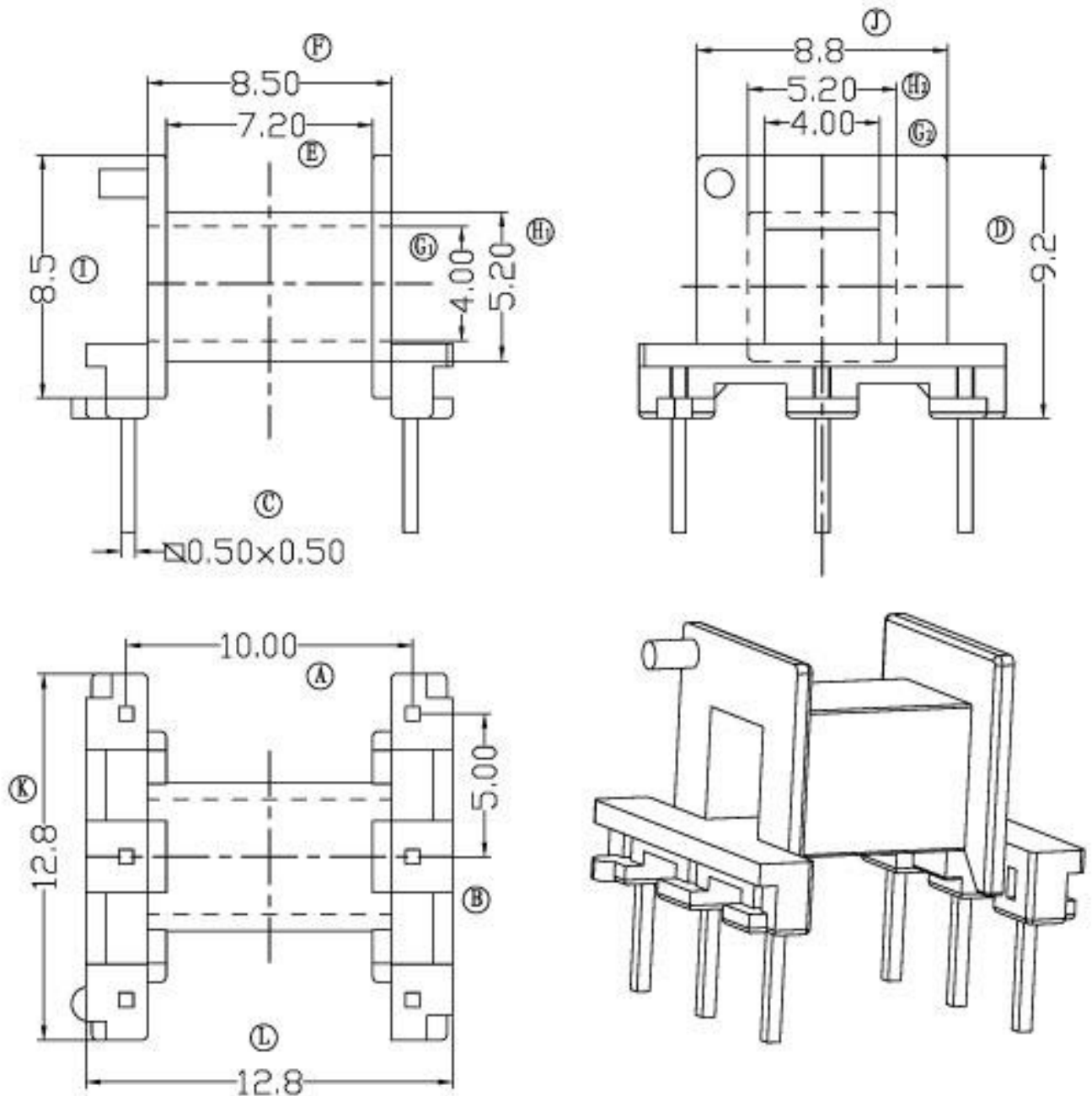


型号

EF-1201

REV	REVISIONS	RBC	DATE



DRAWNBY	JING LI PENG	TOLERANCE	MODEL NAME: EF12.6-6P-1S	
CHECKER BY	LING RONG WANG		BOBBIN MATERIAL: PET	
DATE	01-01-2008	X. X ± 0.3	SCALE: 2:1	SCALE: UL 94V-0
		X. XX ± 0.2		SCALE: M/M
		壁厚: ± 0.15		
		PINPITCH ± 0.2		

