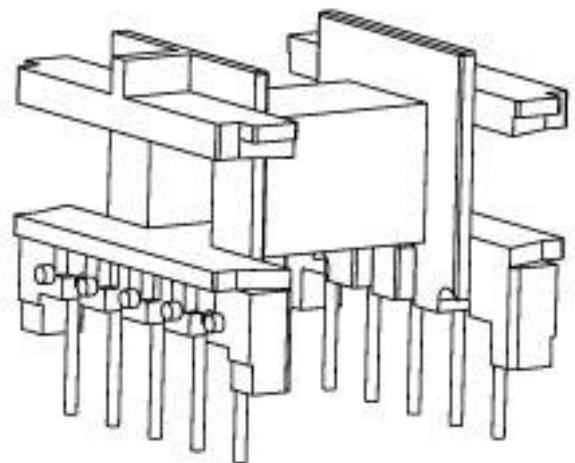
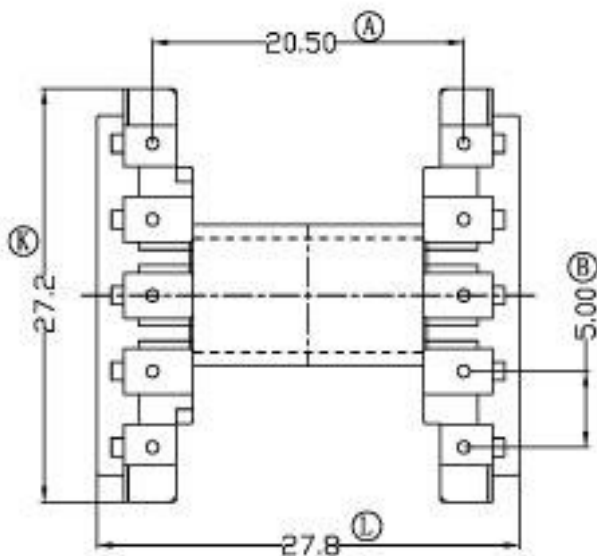
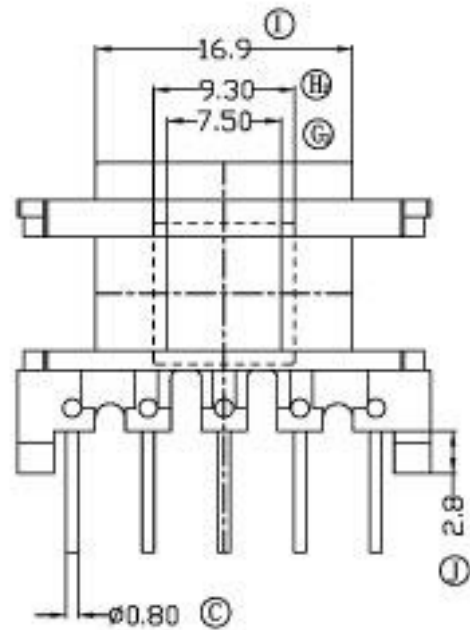
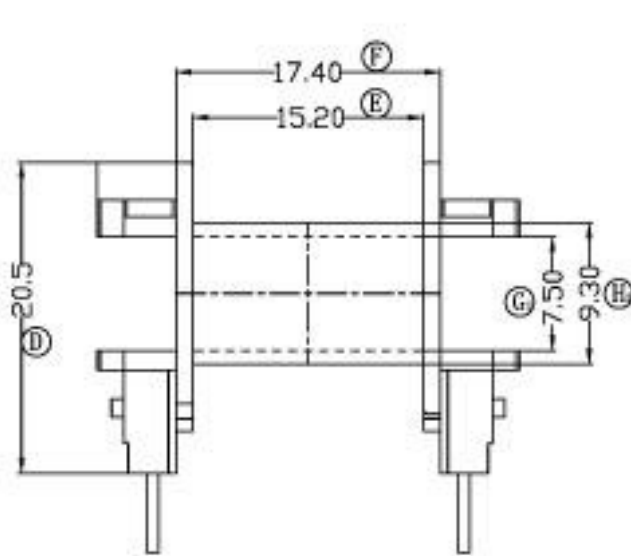
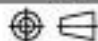


型号

EF-2505

REV	REVISIONS RBC	DATE



DRAWN BY	JING LI PENG	TOLERANCE	MODEL NAME:	EF-25 (5+5P)
CHECKER BY	LING RONG WANG		BOBBIN MATERIAL:	PHENOLIC
DATE	01-01-2008		SCALE: 2:1	SCALE: UL 94V-0
		X. X ± 0.3	 SCALE: M/M	
		X. XX ± 0.2		
		壁厚: ± 0.15		
		PIN PITCH ± 0.2		