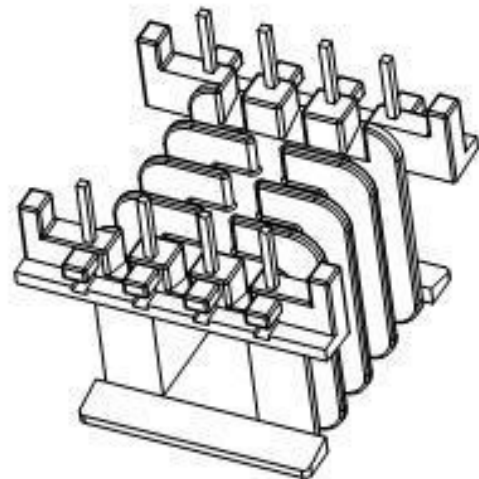
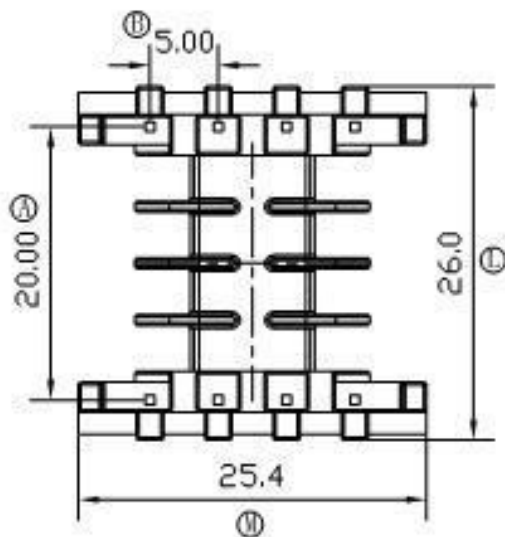
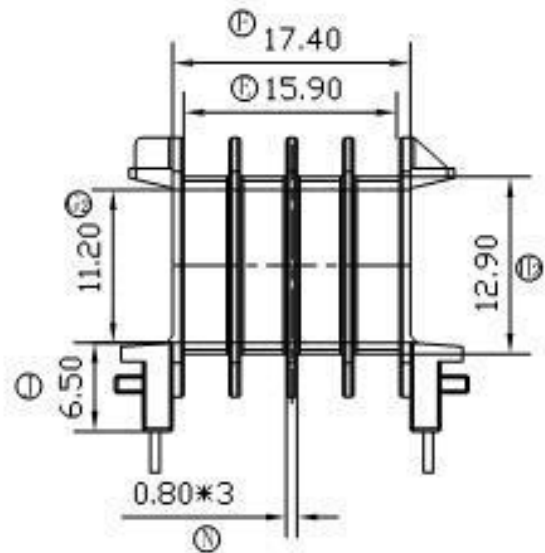
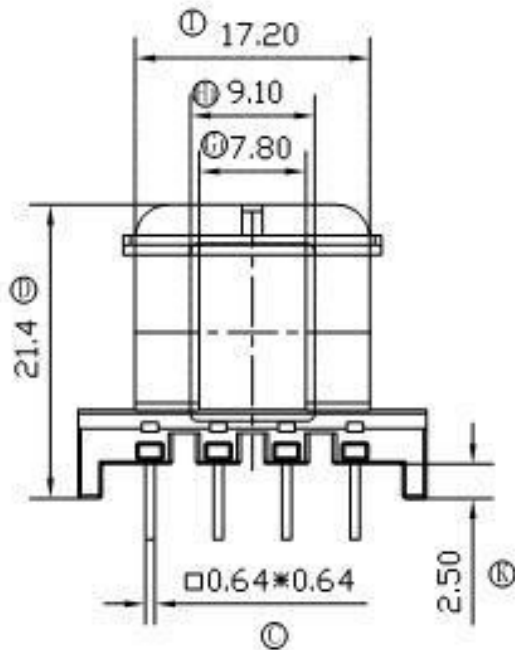




FUAN ELECTRONIC CO.,LTD

型号 EF-2508-2

REV	REVISIONS REC	DATE



DRAWNBY	JING LI PENG	TOLERANCE	MODEL NAME:	EF25-8P-4S
CHECKER BY	LING RONG WANG	X. X ± 0.3	BOBBIN MATERIAL:	PET本色/NYLONG红色
DATE	01-01-2008	X. XX ± 0.2	SCALE: 2:1	SCALE: UL 94V-0
		壁厚: ± 0.15		SCALE: M/M
		PINPITCH ± 0.2		