

HONESTY PASSION INNOVATION

welcome to read and use our company's products

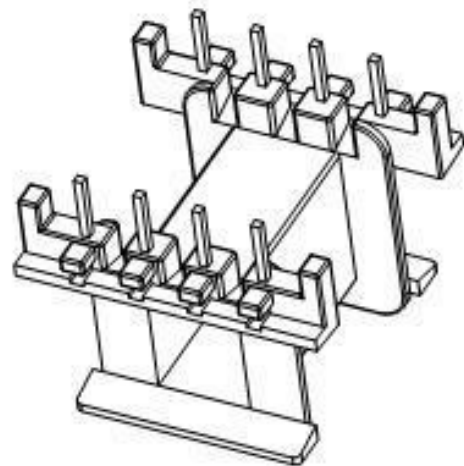
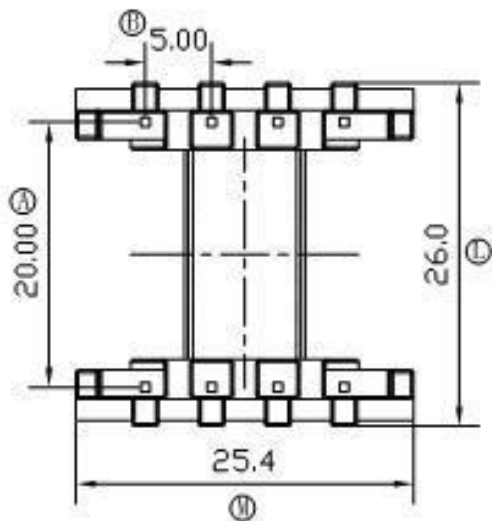
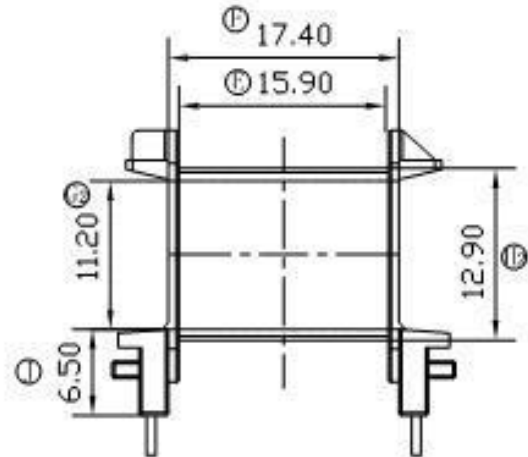
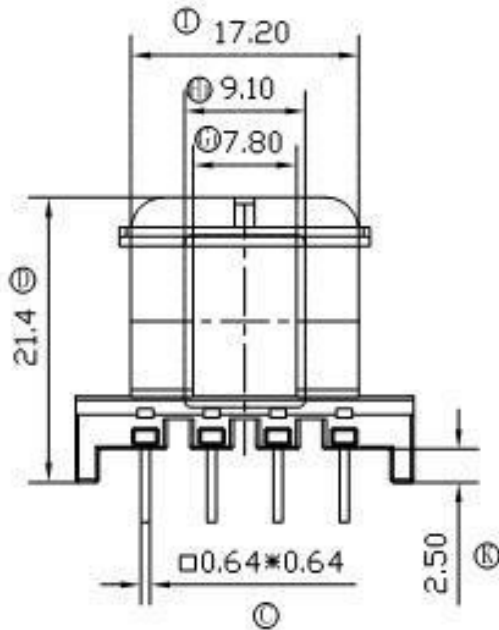


FUAN ELECTRONIC CO.,LTD

型号

EF-2508

REV	REVISIONS REC	DATE



DRAWNBY	JING LI PENG	TOLERANCE	MODEL NAME:	EF25-8P-1S	
CHECKER BY	LING RONG WANG	X, X	± 0.3	BOBBIN MATERIAL:	PET本色/NYLONG红色
DATE	01-01-2008	X, XX	± 0.2	SCALE:	2:1
		壁厚:	± 0.15	SCALE:	UL 94V-0
		PINPITCH	± 0.2	SCALE:	M/M