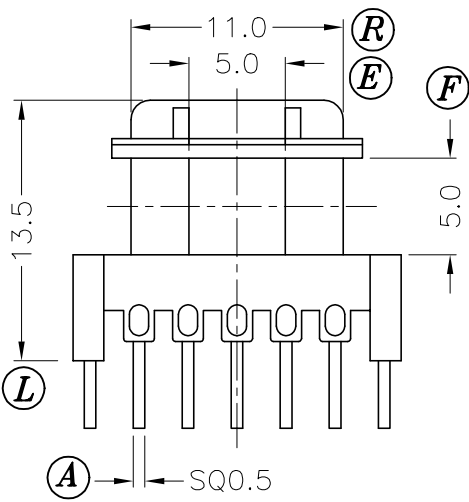
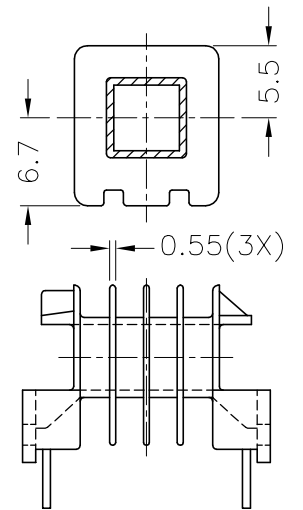
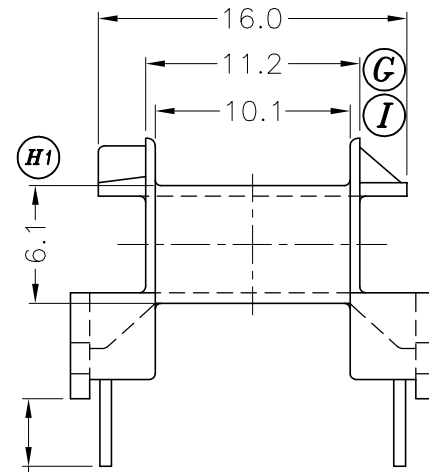
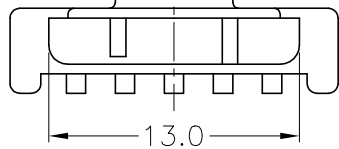
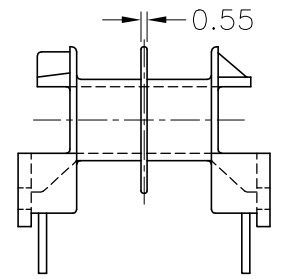
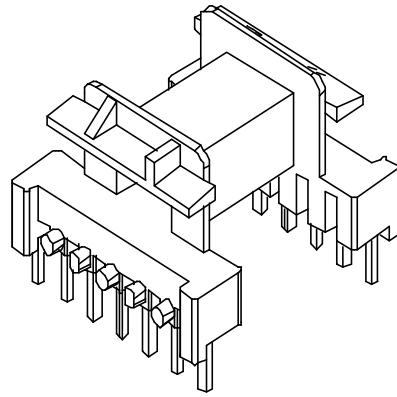
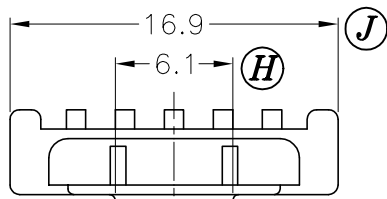


DRAWING NO.	MATERIAL:	ORIGIN:
P-1620-4	PM9820	DG

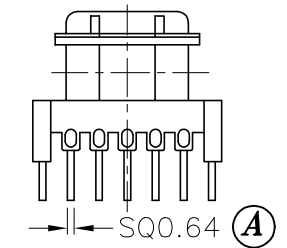
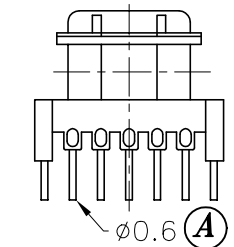
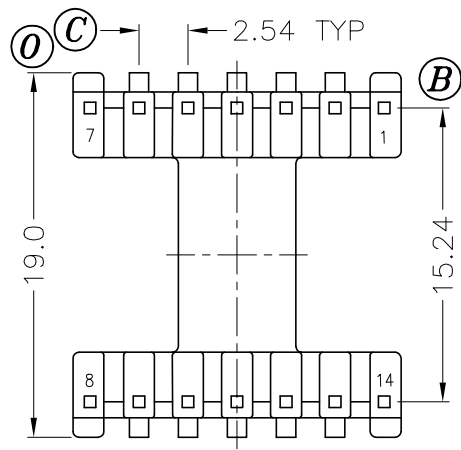
DRAWING NO.	MATERIAL:	ORIGIN:
P-1620-3	PM9820	DG

DRAWING NO.	MATERIAL:	ORIGIN:
P-1620-2	PM9820	DG

DRAWING NO.	MATERIAL:	ORIGIN:
P-1620-1	PM9820	DG



3.5±0.5 (D)



REV.	REVISIONS	REC.	REV.	REVISIONS	REC.
1	(A):SQ0.64 → SQ0.5				
2	CANCEL (M),(K),(N).				

DRAWN & DRAFTED BY WNCH LIAO	TOLERANCES		ANGLE:	TITLE:	
	0<L≤4 ±0.1	pin pitch ±0.2	±1°	T-H BOBBIN EF-16H	
CHECKED & APPROVED BY CHIN TA CHEN	4<L≤16 ±0.2		UNIT:	BOBBIN MATERIAL:	UL REC.
	16<L≤63 ±0.3	MM	PHENOLIC PM9820	UL 94V-0	
ORIGIN:		DG	PIN MATERIAL:	PIN TENSION LOAD:	
			CP WIRE	1.5KG MIN.	
DATE:		APR.01 '2003	DRAWING NO.	P-1620	REV.
TEL:886-2-22990545		FAX:886-2-22990546			2



PIN SHINE INDUSTRIAL CO., LTD.

TEL:886-2-22990545

FAX:886-2-22990546