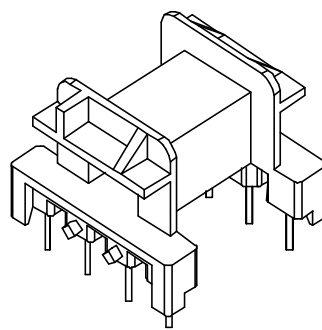
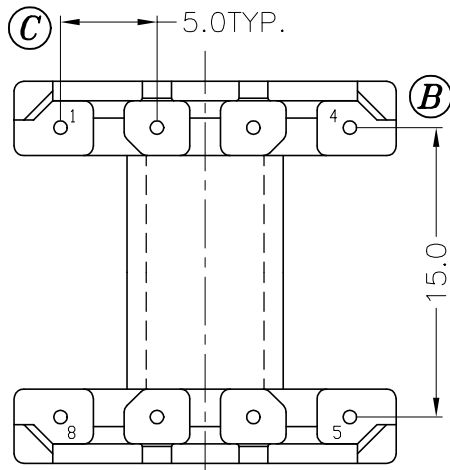
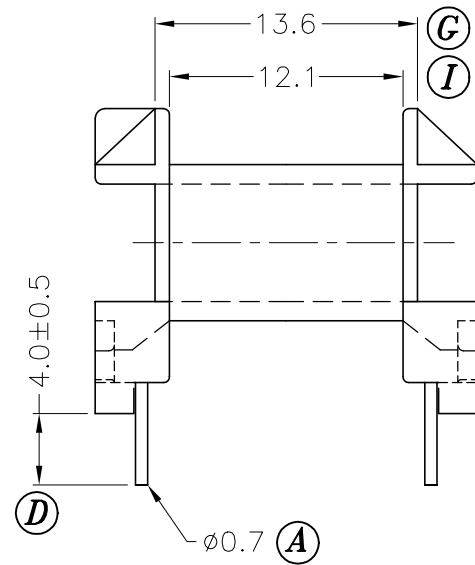
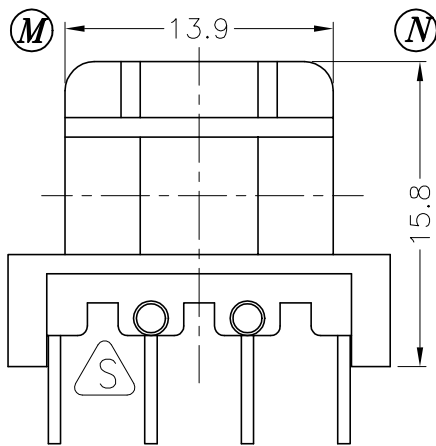
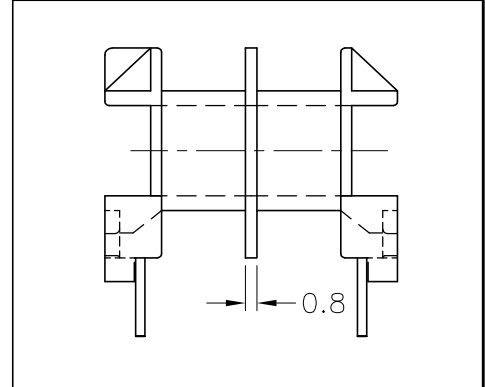


SEC.A-A



DRAWING NO:	MATERIAL:	ORIGIN:
P-2012-1	PHENOLIC T375J	DG



REV.	REVISIONS	REC.	REV.	REVISIONS	REC.
1	△ SHAPE MODIFIED				
2	CANCEL (P),(O); UPDATE DRAWING				

DRAWN & DRAFTED BY SHENG BIN	TOLERANCES		ANGLE:	TITLE:	
	0<L≤4 ±0.1	pin pitch ±0.2	±1°	T-H BOBBIN EF-20H	
CHECKED & APPROVED BY JOHN RONG	4<L≤16 ±0.2		UNIT:	BOBBIN MATERIAL:	UL REC.
	16<L≤63 ±0.3	MM	PHENOLIC T375J	UL 94V-0	
ORIGIN: DG			PIN MATERIAL:	PIN TENSION LOAD:	
DATE: APR.04 '2003			CP WIRE	1.5KG MIN	
DRAWING NO. P-2012				REV. 2	



PIN SHINE INDUSTRIAL CO., LTD.

TEL:886-2-22990545

FAX:886-2-22990546