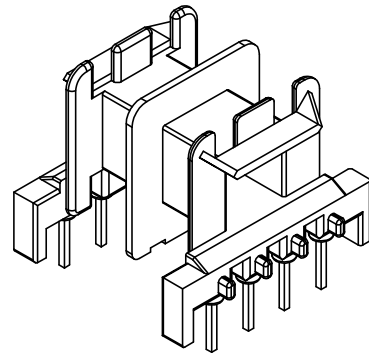
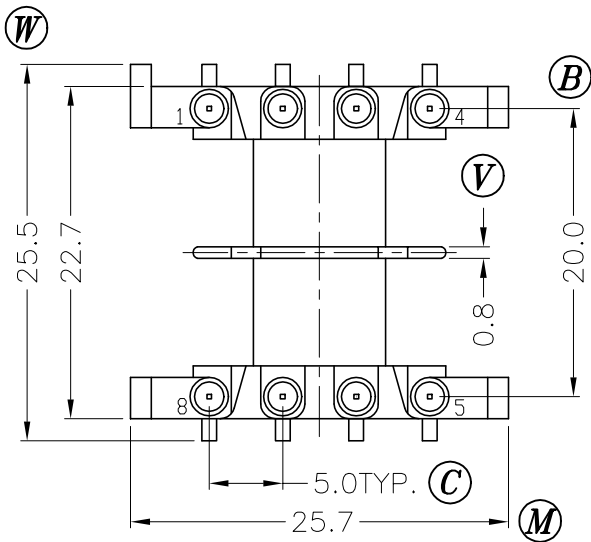
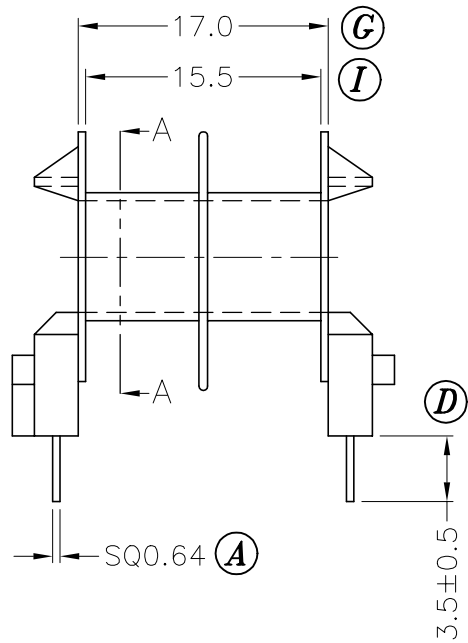
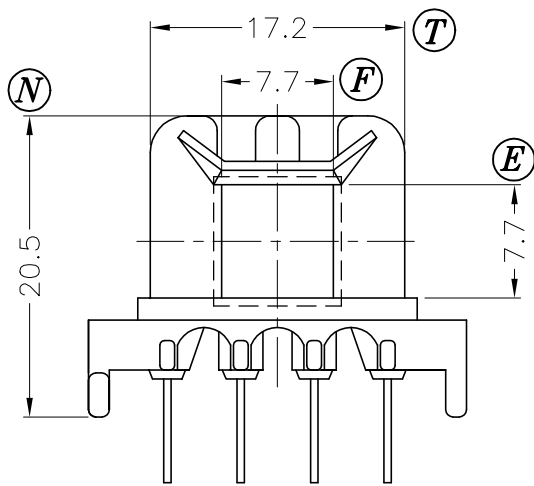
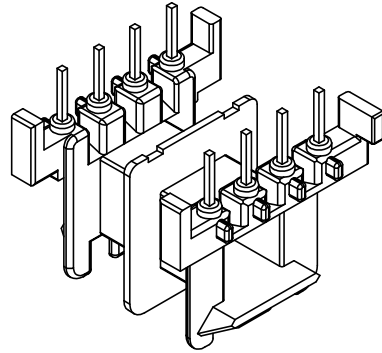


SEC.A-A



REV.	REVISIONS	REC.	REV.	REVISIONS	REC.
2	(N):20.6->20.5 (F):7.6->7.7 (E):7.6->7.7 (S): 8.0->8.1		5	CANCEL (L),(S),(J); UPDATE DRAWING	
3	(L):22.8->22.5				
4	(W):25.7->25.5				

DRAWN & DRAFTED BY DENG SHENGBIN	TOLERANCES		ANGLE:	TITLE:	
	0<L≤4 ±0.1	pin pitch ±0.2	±1°	T-H BOBBIN EF-25H (2 SEC)	
CHECKED & APPROVED BY ZHONG YU	4<L≤16 ±0.2		UNIT:	BOBBIN MATERIAL:	UL REC.
	16<L≤63 ±0.3	MM	PET FR530	UL 94V-0	
ORIGIN:			PIN MATERIAL:	PIN TENSION LOAD:	
DG			CP WIRE	1.5KG MIN	
DATE:		DRAWING NO.	REV.		
APR.07 '2003		P-2518	5		



PIN SHINE INDUSTRIAL CO.,LTD.

TEL:886-2-22990545

FAX:886-2-22990546

