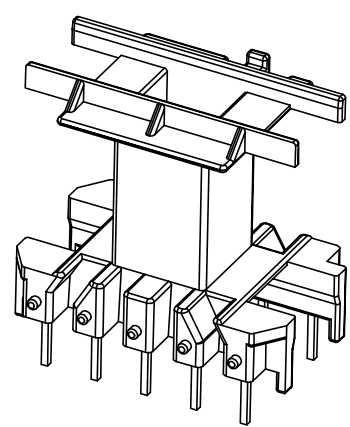
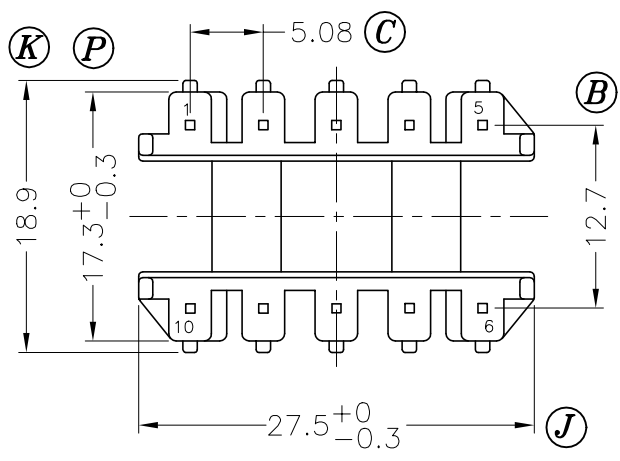
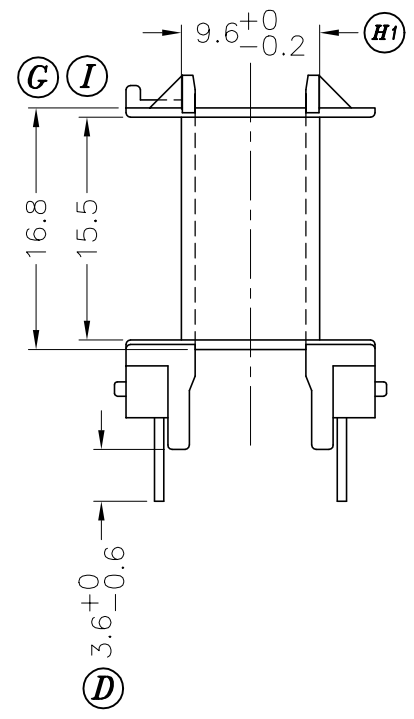
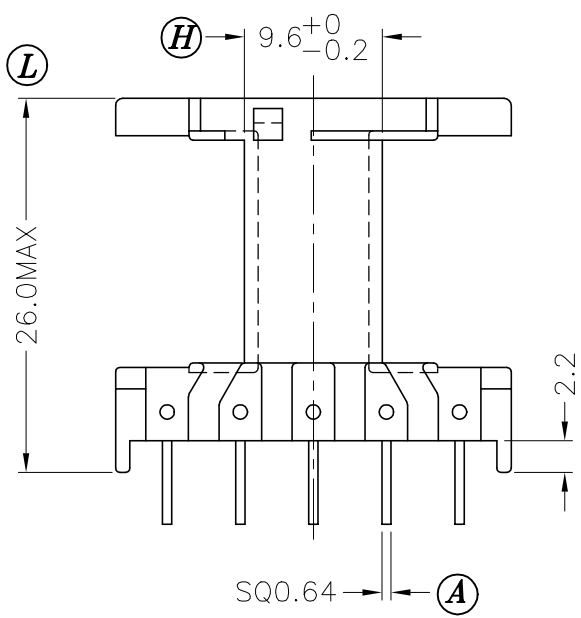


SEC.A-A



REV.	REVISIONS	REC.	REV.	REVISIONS	REC.

DRAWN & DRAFTED BY WU FANG	TOLERANCES		ANGLE: ±1°	TITLE: T-H BOBBIN EF-25	
	0<L≤4 ±0.1	pin pitch ±0.2	UNIT: MM	BOBBIN MATERIAL: PA66 A3X2G7	UL REC. UL 94V-0
CHECKED & APPROVED BY TIAN BAI SEN	4<L≤16 ±0.2		ORIGIN: SZ	PIN MATERIAL: CP WIRE	PIN TENSION LOAD: 1.5KG MIN
PIN SHINE INDUSTRIAL CO.,LTD. TEL:886-2-22990545 FAX:886-2-22990546			DATE: JAN.09 '2003	DRAWING NO. P-2549	REV. 0