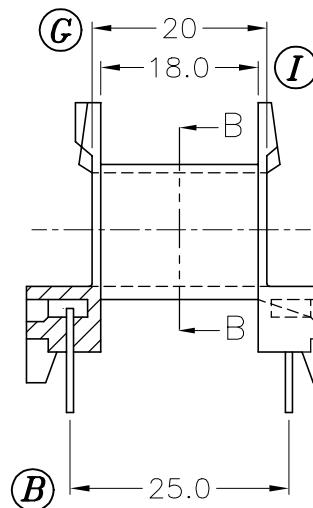
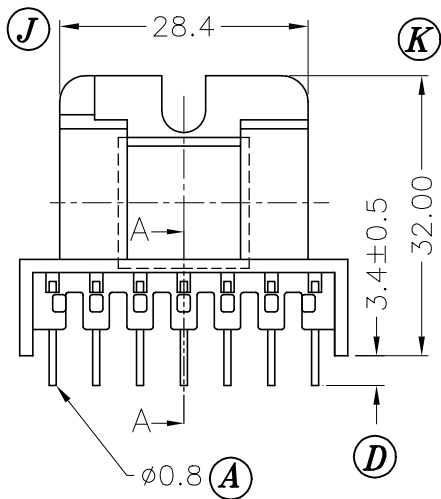
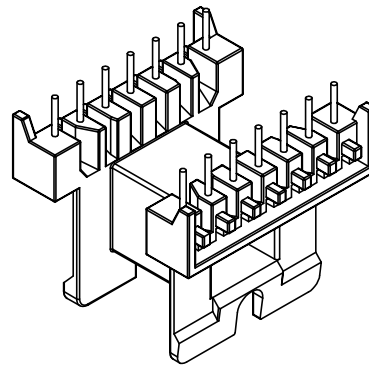
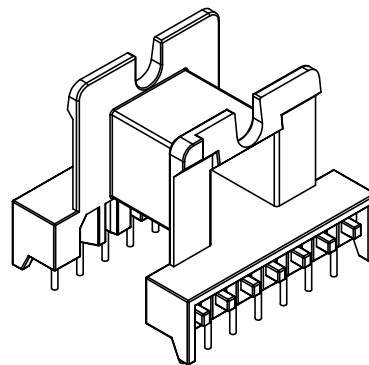
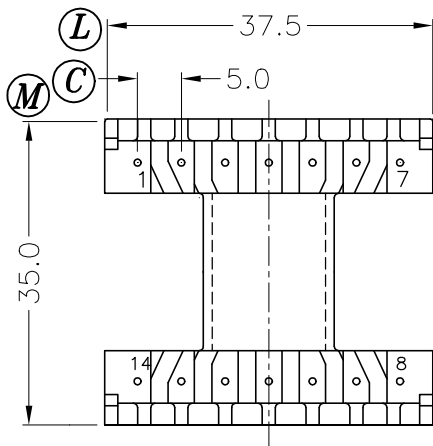


SEC. B-B



SEC. A-A



REV.	REVISIONS	REC.	REV.	REVISIONS	REC.
1	UPDATE DRAWING.				
2	CANCEL (O),(N); UPDATE DRAWING.				

DRAWN & DRAFTED BY JENY.LIU	TOLERANCES		ANGLE: ±1°	TITLE: T-H BOBBIN EE-40	
	0<L≤4 ±0.1	pin pitch ±0.2	UNIT: MM	BOBBIN MATERIAL: PBT 4130	UL REC. UL 94V-0
CHECKED & APPROVED BY JOHN RONG	4<L≤16 ±0.2		ORIGIN: DG	PIN MATERIAL: CP WIRE	PIN TENSION LOAD: 2.0KG MIN
PIN SHINE INDUSTRIAL CO.,LTD. TEL:886-2-22990545 FAX:886-2-22990546		DATE: APR.10 '2003		DRAWING NO. P-4008	REV. 2