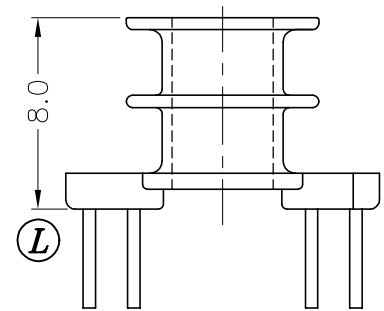


DRAWING NO.	MATERIAL:	ORIGIN
P-402-1	PM9630	DG



REV.	REVISIONS	REC.	REV.	REVISIONS	REC.
1	(I1)&(I2):2.7->2.65				
2	CANCEL (Q); UPDATE DRAWING				

DRAWN & DRAFTED BY SHENG BIN	TOLERANCES		ANGLE:	TITLE:	
	$0 < L \leq 4$	± 0.1	$\pm 1^\circ$	T-H BOBBIN RM-4 (2 SEC)	
CHECKED & APPROVED BY ZHONG YU	$4 < L \leq 16$	± 0.2	UNIT:	BOBBIN MATERIAL:	UL REC.
	$16 < L \leq 63$	± 0.3	MM	PHENOLIC PM9630	UL 94V-0
PIN SHINE INDUSTRIAL CO., LTD. TEL:886-2-22990545 FAX:886-2-22990546			ORIGIN:	PIN MATERIAL:	PIN TENSION LOAD:
			DG	CP WIRE	0.7KG MIN.
			DATE:	DRAWING NO.	REV.
			MAR.26 '2003	P-402	2