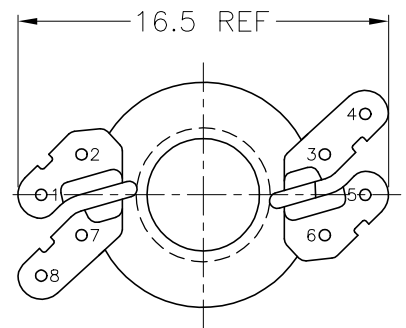
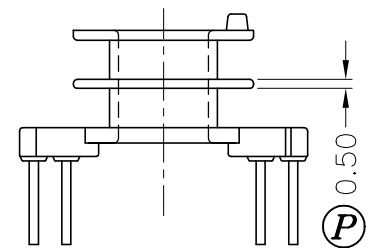


DRAWING NO.	MATERIAL:	ORIGIN
P-501-2	PM9630	SZ



B-044.101P(B-044)


DRAWING NO.	MATERIAL:	ORIGIN
P-501-1	PM9630	DG SZ



B-043.201P(B-043-1)

B-043.101P (B-043)

REV.	REVISIONS	REC.	REV.	REVISIONS	REC.
1	CANCEL (M),(L),(K); UPDATE DRAWING				

DRAWN & DRAFTED BY ZHONG SHENG	TOLERANCES		ANGLE: $\pm 1^\circ$	TITLE: T-H BOBBIN RM-5	
	0<L≤4 ±0.1	pin pitch ±0.2	UNIT: MM	BOBBIN MATERIAL: PHENOLIC PM9630	UL REC. UL 94V-0
CHECKED & APPROVED BY RONG HONGJUN	4<L≤16 ±0.2		ORIGIN: DG SZ	PIN MATERIAL: CP WIRE	PIN TENSION LOAD: 0.7KG MIN.
 PIN SHINE INDUSTRIAL CO.,LTD. TEL:886-2-22990545 FAX:886-2-22990546			DATE: MAR.27 '2003	DRAWING NO. P-501	REV. 1