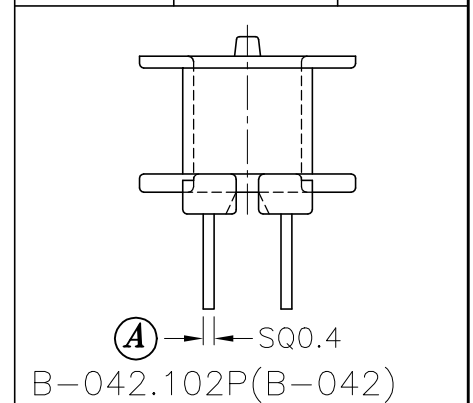


DRAWING NO.	MATERIAL:	ORIGIN
P-504-1	PM9630	SZ



B-042.101P(B-042)

REV.	REVISIONS	REC.	REV.	REVISIONS	REC.
1	CANCEL (M),(O); UPDATE DRAWING				

DRAWN & DRAFTED BY YU ZHIHUA	TOLERANCES		ANGLE:	TITLE:	
	0<L≤4 ±0.1	pin pitch ±0.2	±1°	T-H BOBBIN RM-5	
CHECKED & APPROVED BY JOHN RONG	4<L≤16 ±0.2		UNIT:	BOBBIN MATERIAL:	UL REC.
	16<L≤63 ±0.3	MM	PHENOLIC PM9630	UL 94V-0	
PIN SHINE INDUSTRIAL CO., LTD. TEL:886-2-22990545 FAX:886-2-22990546		ORIGIN:	PIN MATERIAL:	PIN TENSION LOAD:	
		DG	CP WIRE	0.9KG MIN	
			DATE:	DRAWING NO.	REV.
			MAR.27 '2003	P-504	1