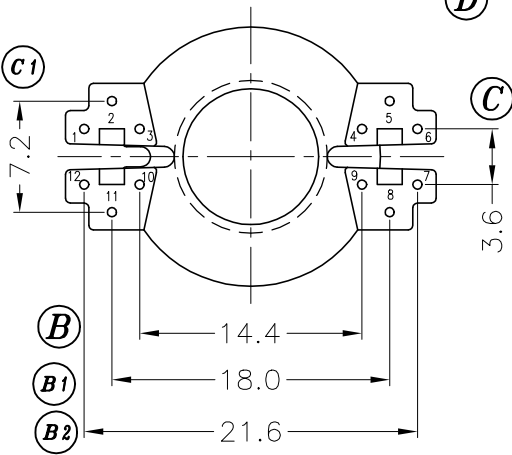
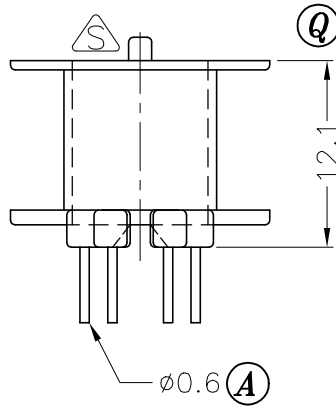
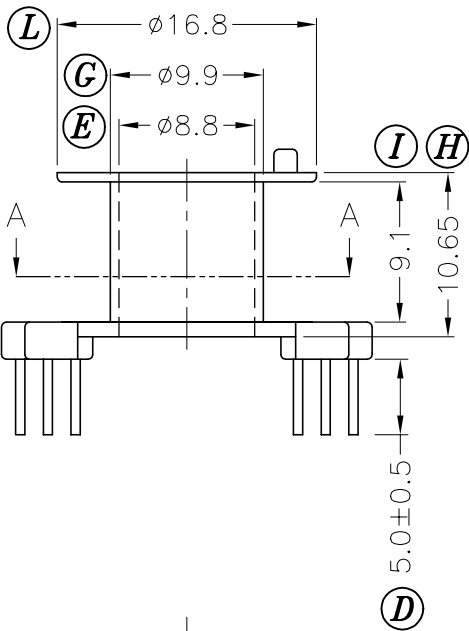
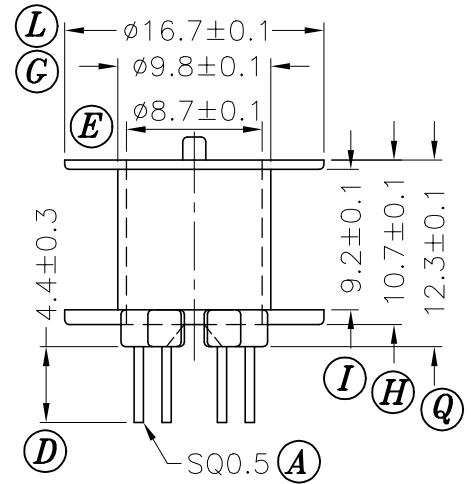


SEC.A-A

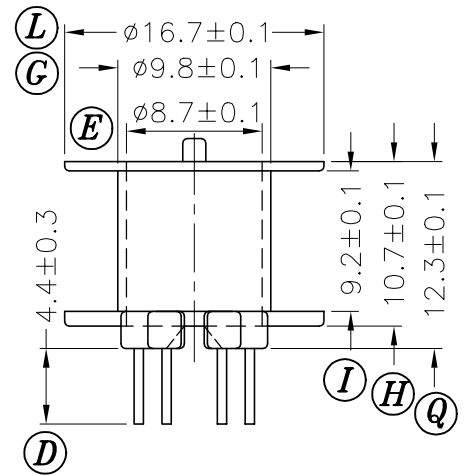


DRAWING NO.	MATERIAL:	ORIGIN
P-802-2	PM9630	DG



B-046.102P(B-046)

DRAWING NO.	MATERIAL:	ORIGIN
P-802-1	PM9630	DG



B-046.101P(B-046)

REV.	REVISIONS	REC.	REV.	REVISIONS	REC.
1	MATERIAL MODIFY:T-355J CHANGE TO PM-9630		4	CANCEL (O),(P),(N); UPDATE DRAWING	
2	:SHAPE MODIFY				
3	(P) 1.7 -->1.6				

DRAWN & DRAFTED BY TSUNG TUAN	TOLERANCES		ANGLE: ±1°	TITLE: T-H BOBBIN RM-8	
	0<L≤4 ±0.1	pin pitch ±0.2	UNIT: MM	BOBBIN MATERIAL: PHENOLIC PM9630	UL REC. UL 94V-0
CHECKED & APPROVED BY CHIN TE	4<L≤16 ±0.2		ORIGIN: DG	PIN MATERIAL: CP WIRE	PIN TENSION LOAD: 1.0KG MIN
PIN SHINE INDUSTRIAL CO.,LTD. TEL:886-2-22990545 FAX:886-2-22990546			DATE: MAR.27 '2003	DRAWING NO. P-802	REV. 4