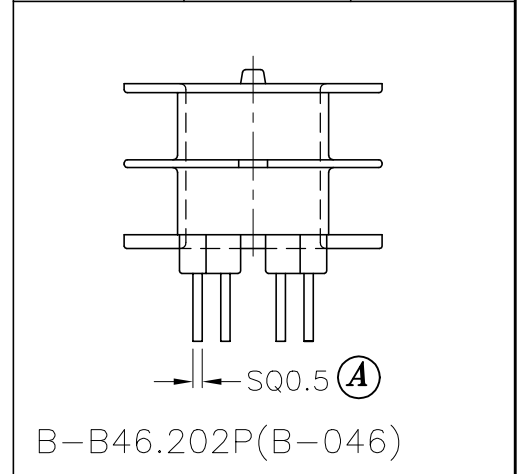


DRAWING NO.	MATERIAL:	ORIGIN
P-809-1	PM9630	DG



B-046.201P(B-046-1)

B-B46.202P(B-046)

REV.	REVISIONS	REC.	REV.	REVISIONS	REC.
1	CANCEL (M),(O); UPDATE DRAWING				

DRAWN & DRAFTED BY YU ZHIHUA	TOLERANCES		ANGLE:	TITLE:	
	0<L≤4 ±0.1	pin pitch ±0.2	±1°	T-H BOBBIN RM-8 (2 SEC)	
CHECKED & APPROVED BY JOHN RONG	4<L≤16 ±0.2		UNIT:	BOBBIN MATERIAL:	UL REC.
	16<L≤63 ±0.3		MM	PHENOLIC PM9630	UL 94V-0
PIN SHINE INDUSTRIAL CO., LTD. TEL:886-2-22990545 FAX:886-2-22990546			ORIGIN:	PIN MATERIAL:	PIN TENSION LOAD:
			DG	CP WIRE	0.9KG MIN
			DATE:	DRAWING NO.	REV.
			MAR.27 '2003	P-809	1